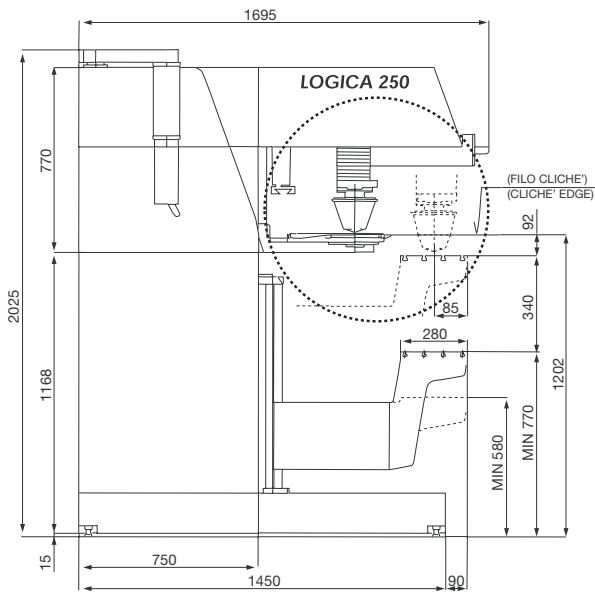


LOGICA 250

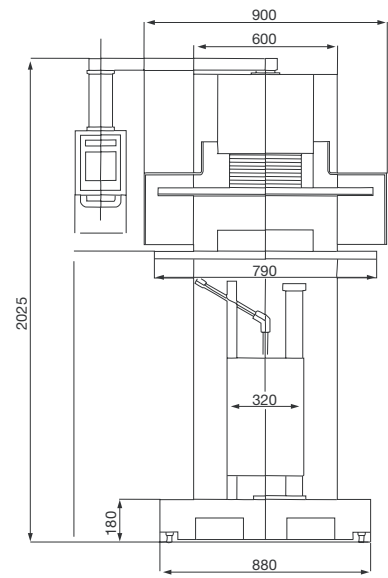


	Technical Specifications
operation	Electrical with numerical control
printing force	12000 N
Nº of colors	1-2-3-4-5-6
max printing speed	Adjustable up to 1100 c/h
max pad height	205 mm
AC supply	230 V single phase 50/60 Hz
average consumption	0.8 Kw/h
weight	About 850 kg
size	About 1600x900x1990 (h) mm
	Maximum Plate and Printing Size
max cliché size	250x720x10 mm
1 color (open system)	
max printing diameter	210 mm
1 color (open system)	
max cup diameter	195 mm
1 color (closed system)	
max printing diameter	175 mm
1 color (closed system)	
	Optional Accessories
cross tables	TO100, TO200, TO201, TO300
rotary tables	TRCN03, TRCN04, TRCN06, TRCN10
indexers	PS460, PR610, PRP610, ER990
oval flat conveyors	MEG9, MEG12
rectilinear tracked conveyors	MEM24, MEM32, MEM48
rectilinear inclined conveyors	MEM 30°/24, MEM 30°/32

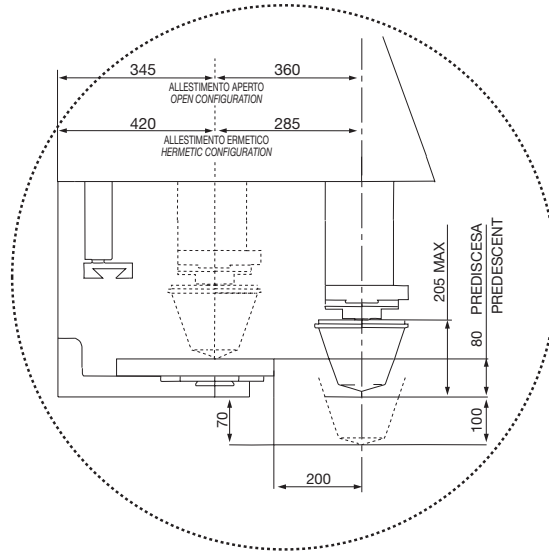
LOGICA 250



side view



front view



side view detail