

LOGICA 02

**Numerically controlled
pad printing machine for
multicolour printing.**

**Up to 3 colours dia. 90 mm
or 4 colours dia. 70 mm**

Fully electrical operation.

CHARACTERISTICS

- All the mechanical movements are motorized via numerical control and guarantee high precision providing complete flexibility of operation and simplicity without compromise.
- Its exclusive electric operation presents a considerable advantage compared to pneumatic machines.
- Manufactured from light alloy and special steel.
- Eco-friendly. Due to its available hermetic ink system preventing solvent evaporation.
- Independent adjustment of speeds to each of the six strokes, ability to memorize the different and most important phases of the printing cycle.
- Changeover time reduced to a few minutes, thanks to the considerations given in the design concept to apply ergonomic principles to the system.
- Due to the mechanical design quality, a guaranteed smooth working function results in an extremely quiet action, thus allowing use in any environment.
- The manufacturing it was also conceived to guarantee a long life of working without maintenance.
- All adjustment functions can be carried out via the numeric keyboard with alphanumeric display.
- Countdown function and memory different work programs for easy set up.
- Ability to print under the printing plate, allowing decoration in every position on the large sized objects.
- Fully interchangeability between the two systems hermetic and open (on request).
- Ability to print on surfaces with different levels on the same object, adjusting easily the stroke through the keyboard.
- Accurate movement of the support slide-table with adjustable height.



Logica 02 3 colours (dia. 90 mm)
with shuttle system Mod. SE 228
and cross table Mod. TO 100

TECHNICAL DATA

- | | |
|--|---|
| • Operation:
electric with numerical control | • Standard ink cup sizes:
Up to 3 dia. 90 mm, or 4 dia. 70 mm |
| • Printing force:
800 N | • Vertical stroke:
120 mm (60 mm on cliché) |
| • Maximum printing speed:
adjustable up to 1800 c/h(*) | • Maximum pad height:
190 mm (125 mm with pad shuttle system) |
| • Number of colours:
1 - 2 - 3 - 4 | • AC supply:
220/240 V - single phase 50/60 Hz |
| • Maximum dia. ink cup:
90 mm | • Electric consumption and weight (basic model):
400 W - about 192 Kg |

(*) The above mentioned printing speed is the max achievable and will reduce when the vertical pad stroke is increased or when delay times have been programmed into the cycle. The maximum printing speed also depends on the parts loading device.

STANDARD PACKAGES

To make the choice easier, TOSH proposes a series of standard packages, between the machine and the conveying system, that suits your specific application. Among the suggested and more popular, there are:

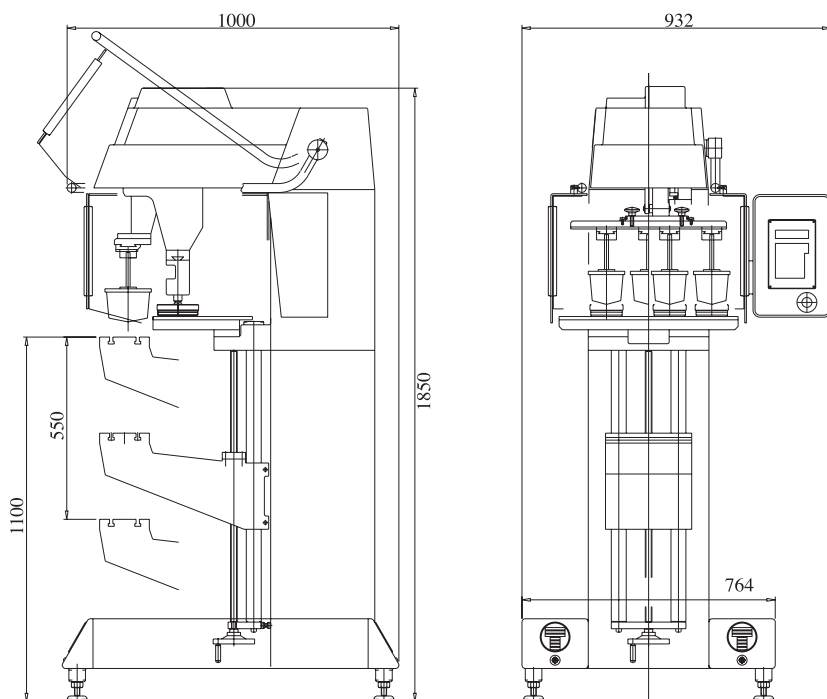
- **Cross tables** in different dimensions
- Electromechanical numerically controlled **rotary tables**
- **Pad shuttle systems**, fully electric operation
- Numerically controlled **indexers** with programmable and adjustable pitch
- Numerically controlled **doctoring refresher devices**
- **Automatic pad cleaning devices** with programmable operating time
- **Pre-treatment devices** (flame or corona treatment)
- **Drying devices** (air, U.V. and I.R.)
- Modular **pad pre-drying devices**.

On the cover a standard package example of:

Logica 02 equipped to print 3 colours with hermetic cups dia. 90 mm, with shuttle system

Mod. SE 228 and cross table Mod. TO 100.

SIZE



BECAUSE OF CONTINUOUS IMPROVEMENT, WE RESERVE THE RIGHT TO CHANGE SPECIFICATION, DESIGN MATERIALS WITHOUT NOTICE.

OPTIONAL

Cross tables



Recommended for applications where there is a single fixture, they allow rapid alignment on more axis of the part to the print.

Pad shuttle systems



Suggested for 2 or 3 colour printing on a motionless support fixture; ideal also for printing onto cylindrical surfaces.

Indexers



Single fixture linear transfer for multi-colours printing on medium and large products.

Rotary tables



Recommended for multicolour printing or when high production cadences are required. They can also be used for additional in-line processes.

Doctoring refresher devices



Ideal for printing large images that don't fit into ink cup size.

Automatic pad cleaning devices



They permit the pads cleaning cycle with programmable operating time.

TOSH®

MACCHINE E SERVIZI
PER LA STAMPA SU OGGETTI



TOSH S.r.l. - Via Lambro 84, I - 20089 Quinto Stampi Rozzano (MI)
Tel. +39 02 57566.1 (10 linee r.a.) - Fax +39 02 89200266
E-mail: info@tosh.it

www.tosh.it